

PV-10.14.39-B-M 4080-M

Primary Usage

Reference No.

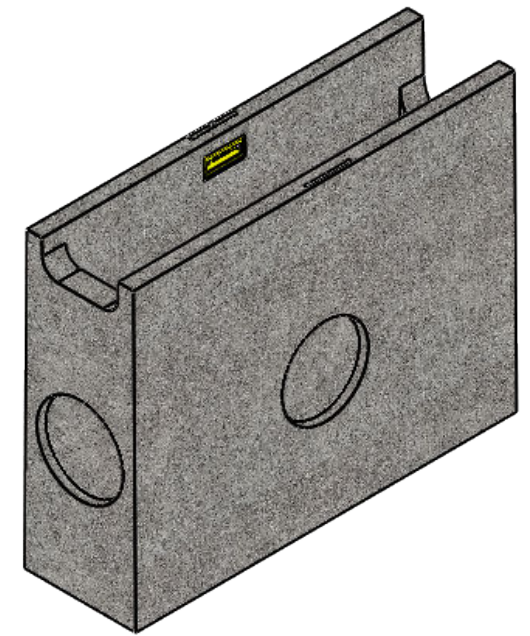
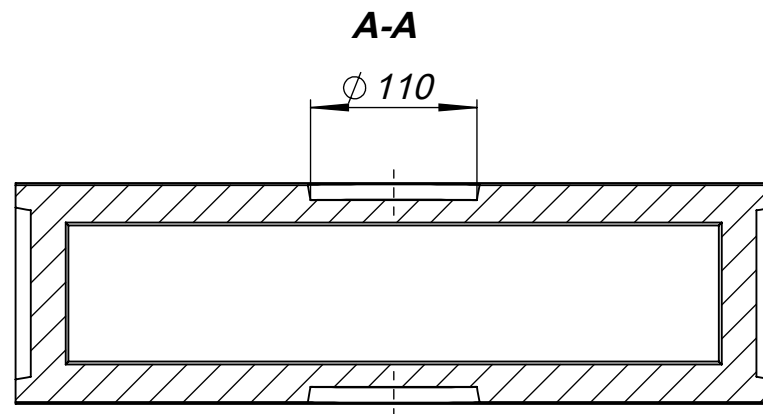
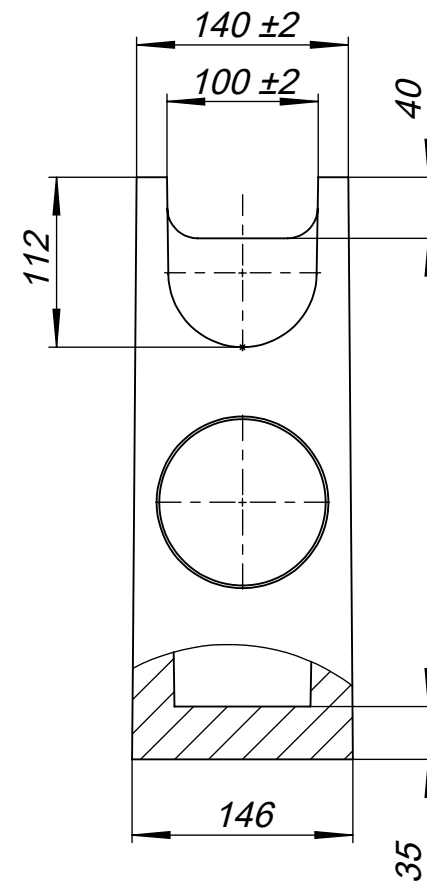
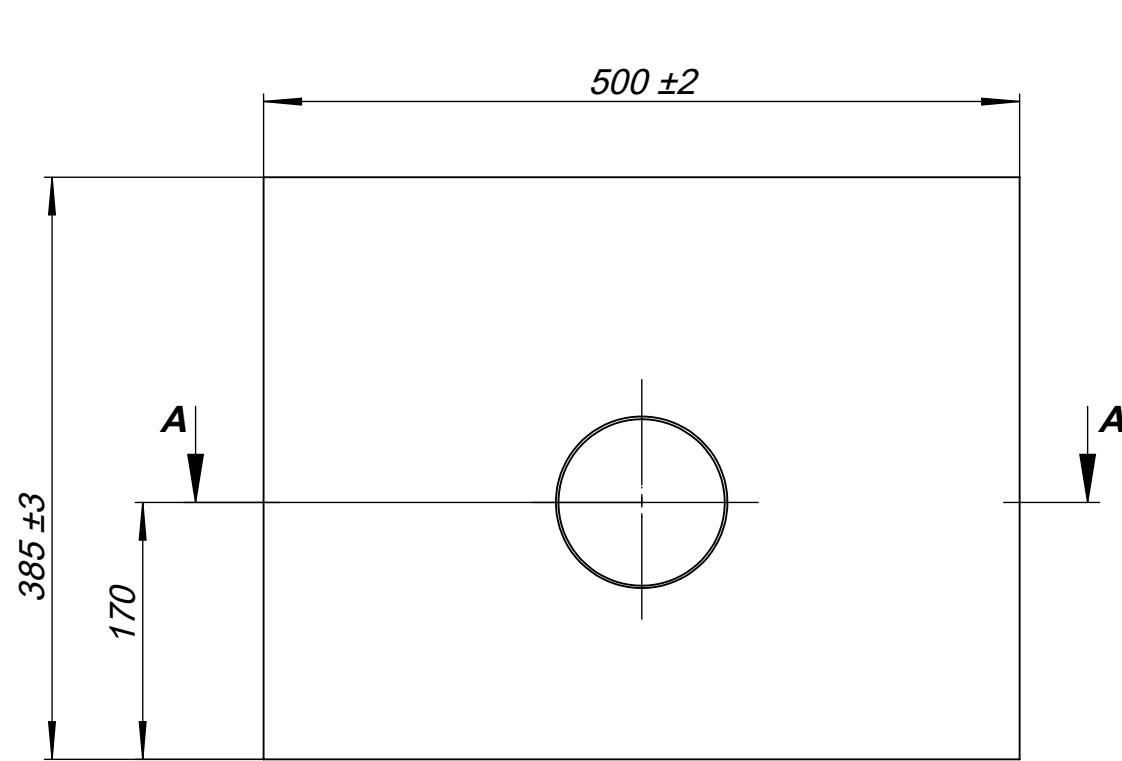
Sign. and date

Copy inv. No.

Repl. Inv. No.

Sign. and date

Orig. Inv. No.



1. Deviation of the actual weight of the nominal can be up to 12%

					Art.	4080-M
					PV-10.14.39-B-M 4080-M	
					Let.	Weight
						Scale
						27.52
						1:5
					Sheet	Sheets 1
					Concrete	
					standartpark	