

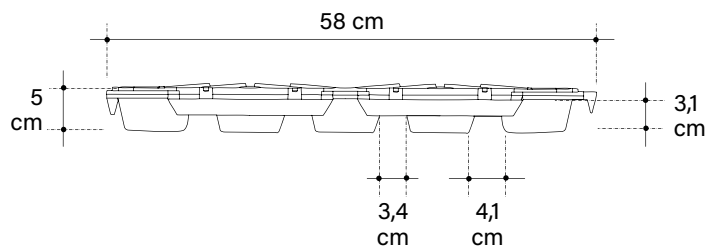
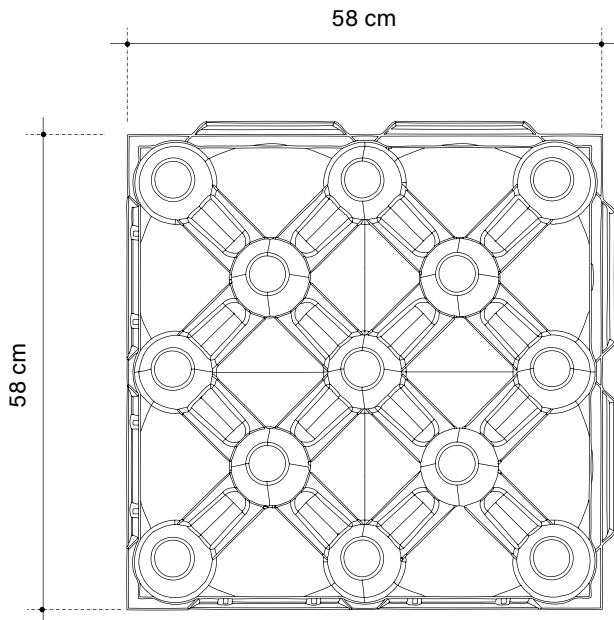
IGLU'®
BARRIER **H 5 cm**



Iglu'® Barrier is a recycled plastic panel built to protect the waterproof layer of retaining walls. By virtue of its technical characteristics, it guarantees an excellent resistance to compression.

The Iglu'® Barrier creates a ventilated space between the waterproof retaining wall and the backfill, therefore eliminating contact between the ground and the waterproofing.

Due to its special configuration and the natural air chamber that forms between the wall and the panel, the Iglu'® Barrier panel protects walls in below-ground living spaces (such as cellars, garages, laundries, taverns, etc.) from both "penetrating damp" (a.k.a. lateral damp) and temperature changes.



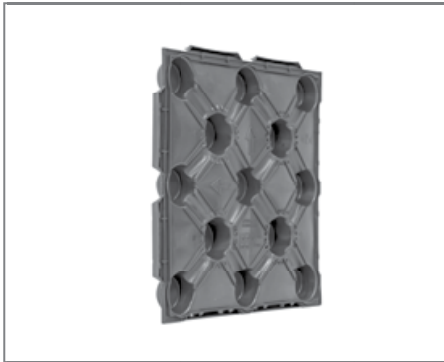
The images are only for examples.
 Recyclable material is allowed a size tolerance of $\pm 1,5\%$.

To contact our technical office: Tel. +39 0422 2083 - tecnico@daliform.com

To obtain up-to-date technical data sheets, support material, new photos and case studies, please consult our website at www.daliform.com The technical advice is valid exclusively for Daliform Group construction systems.

TECHNICAL DATA

IGLU® Barrier H 5 cm



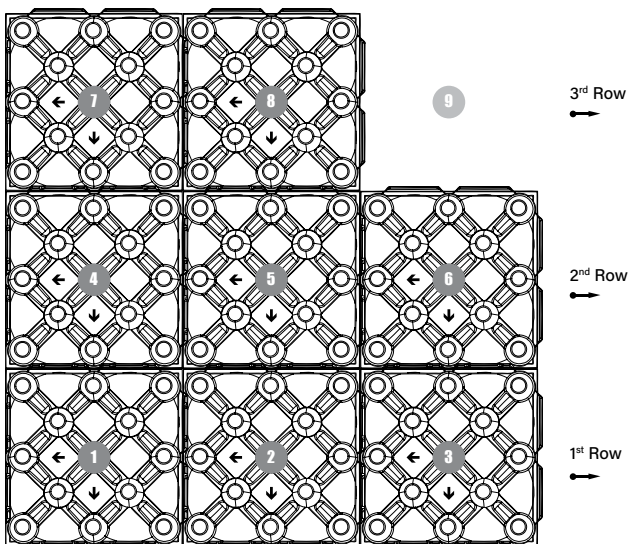
Dimensions*	cm	58 x 58
Weight of each unit	kg	1,136
Compressive strenght	kg/m ²	more then 10.000
Support foot surface area	cm ² /m ²	1240
Air chamber	l/m ²	33,26
Pallet dimension**	cm	120 x 120 x 256
	m ² /PAL	1104
	pcs/PAL	960
	kg/PAL	320

* Recyclable material is allowed a size tolerance of $\pm 1,5\%$.

** For production necessity the technical data can be change.

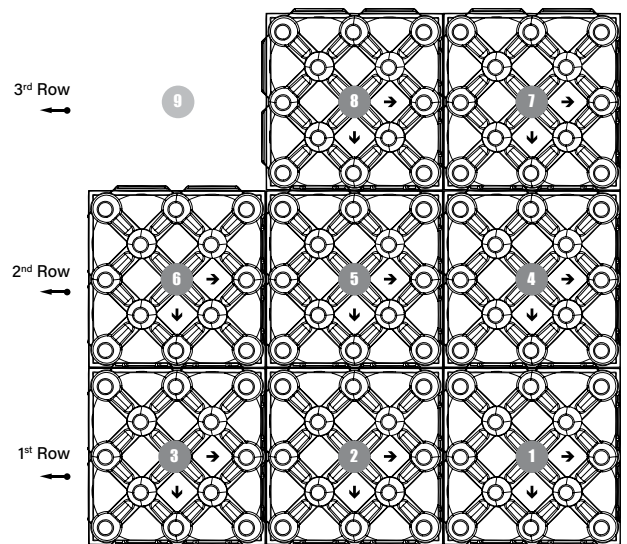
DRY ASSEMBLY METHOD

METHOD "A"



Place the first panel in the lower left-hand wall, with an arrow pointing downwards and the other pointing left. Proceed with the assembly from left to right and from bottom to top.

METHOD "B"



Place the first panel in the lower right-hand wall, with an arrow pointing downwards and the other pointing right. Proceed with the assembly from right to left and from bottom to top.

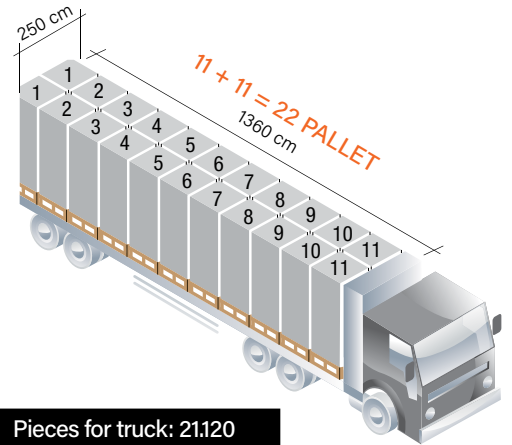
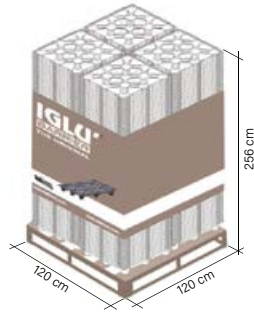
The Iglu® Barrier formworks are coupled through specific clips which give stability and the ability to adjust even on curved surfaces. The staggered arrangement of the support feet, which are wide, smooth, circular and rounded, means that the Iglu® Barrier panel can withstand a ground thrust of over 10,000 kg/m². In addition, the feet are arranged in such a way that the panel can be shaped with a saw or grinding disc, in any direction and shape, without compromising its mechanical strength.

PACKING AND TRUCKING



1 pallet: 4 piles of 240 pieces

Pieces for pallet: 960



Pieces for truck: 21.120

LABELLING

Each pallet is identified with:



A coloured band containing:
the brand, a type image of the product,
the Company name, the website and
any warnings.



A label with the following informations: product's
name and code, quantity, Certificate of the
Environmental Compatibility, date of production, shift
of production, n° of the worker, production line batch.

CREDITS

- BBA;
- Declaration of Performance Conformity;
- Hygienic certificate;
- Rupture load tests;
- Certificate of Environmental Compatibility (CCA).

The product does not fear the weather and can be stored outside. Take the utmost care to prevent the product from being deformed or overstressed during the unloading, storage and assembly. In case of disposal the product is totally recyclable.

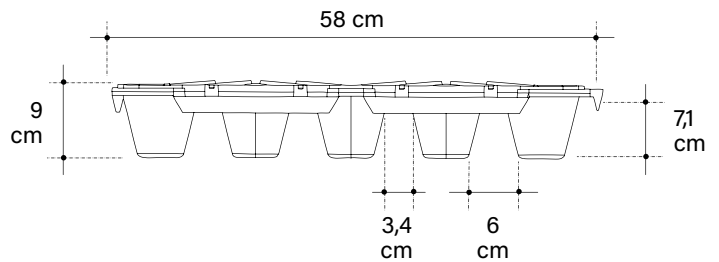
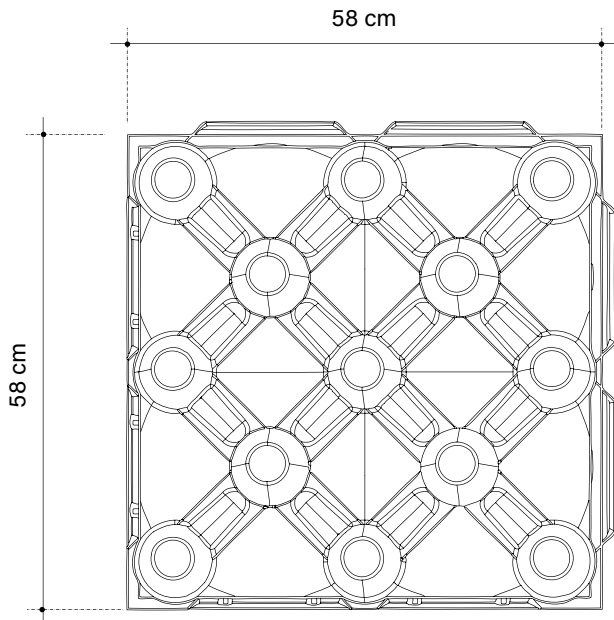
IGLU'®
BARRIER **H 9 cm**



Iglu'® Barrier is a recycled plastic panel built to protect the waterproof layer of retaining walls. By virtue of its technical characteristics, it guarantees an excellent resistance to compression.

The Iglu'® Barrier creates a ventilated space between the waterproof retaining wall and the backfill, therefore eliminating contact between the ground and the waterproofing.

Due to its special configuration and the natural air chamber that forms between the wall and the panel, the Iglu'® Barrier panel protects walls in below-ground living spaces (such as cellars, garages, laundries, taverns, etc.) from both "penetrating damp" (a.k.a. lateral damp) and temperature changes.



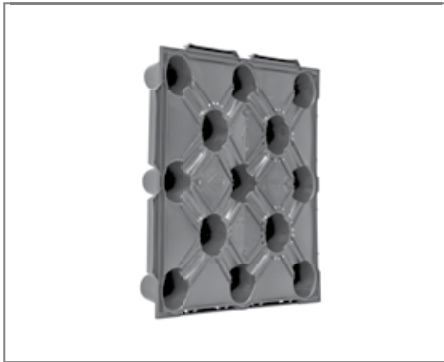
The images are only for examples.
 Recyclable material is allowed a size tolerance of $\pm 1,5\%$.

To contact our technical office: Tel. +39 0422 2083 - tecnico@daliform.com

To obtain up-to-date technical data sheets, support material, new photos and case studies, please consult our website at www.daliform.com The technical advice is valid exclusively for Daliform Group construction systems.

TECHNICAL DATA

IGLU® Barrier H 9 cm



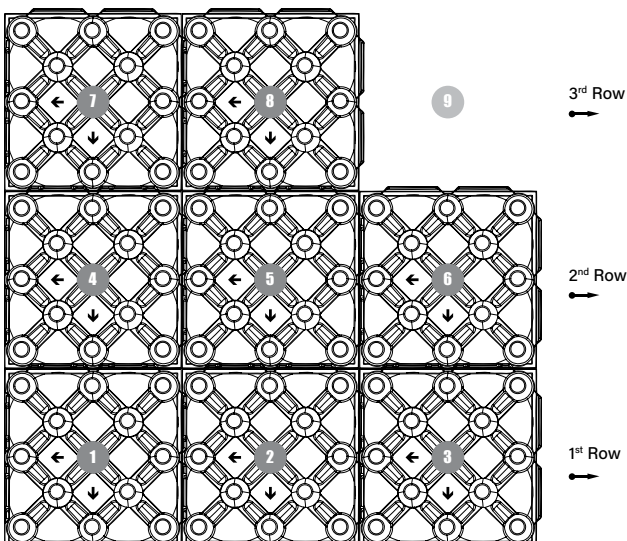
Dimensions*	cm	58 x 58
Weight of each unit	kg	1,190
Compressive strenght	kg/m ²	more then 10.000
Support foot surface area	cm ² /m ²	609
Air chamber	l/m ²	70
Pallet dimension**	cm	120 x 120 x 262
	m ² /PAL	1199
	pcs/PAL	996
	kg/PAL	332

* Recyclable material is allowed a size tolerance of $\pm 1,5\%$.

** For production necessity the technical data can be change.

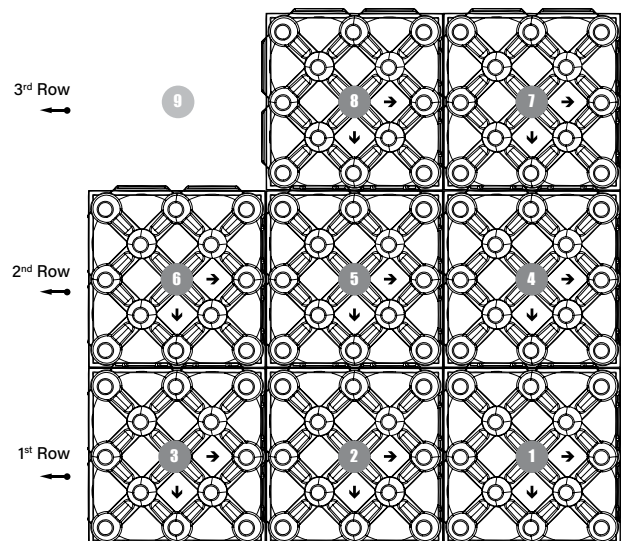
DRY ASSEMBLY METHOD

METHOD "A"



Place the first panel in the lower left-hand wall, with an arrow pointing downwards and the other pointing left. Proceed with the assembly from left to right and from bottom to top.

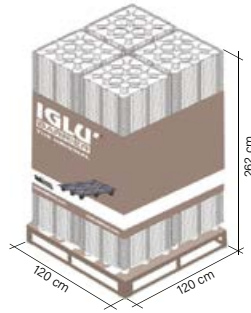
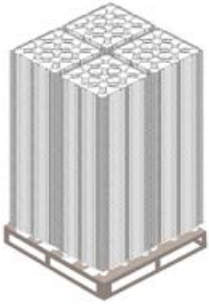
METHOD "B"



Place the first panel in the lower right-hand wall, with an arrow pointing downwards and the other pointing right. Proceed with the assembly from right to left and from bottom to top.

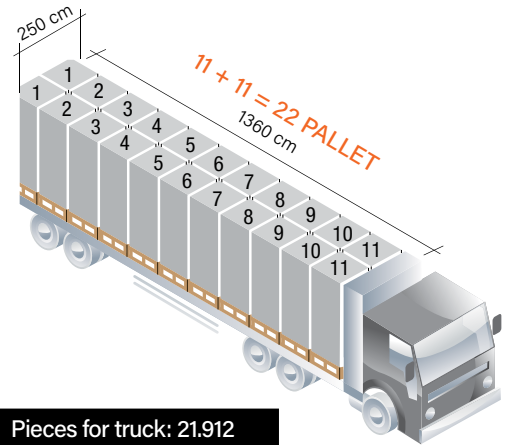
The Iglu® Barrier formworks are coupled through specific clips which give stability and the ability to adjust even on curved surfaces. The staggered arrangement of the support feet, which are wide, smooth, circular and rounded, means that the Iglu® Barrier panel can withstand a ground thrust of over 10,000 kg/m². In addition, the feet are arranged in such a way that the panel can be shaped with a saw or grinding disc, in any direction and shape, without compromising its mechanical strength.

PACKING AND TRUCKING



1 pallet: 4 piles of 249 pieces

Pieces for pallet: 996



Pieces for truck: 21.912

LABELLING

Each pallet is identified with:



A coloured band containing:
the brand, a type image of the product,
the Company name, the website and
any warnings.



A label with the following informations:
product's name and code, quantity, Certificate of the
Environmental Compatibility, date of production, shift
of production, n° of the worker, production line batch.

CREDITS

- BBA;
- Declaration of Performance Conformity;
- Hygienic certificate;
- Rupture load tests;
- Certificate of Environmental Compatibility (CCA).

The product does not fear the weather and can be stored outside. Take the utmost care to prevent the product from being deformed or overstressed during the unloading, storage and assembly. In case of disposal the product is totally recyclable.