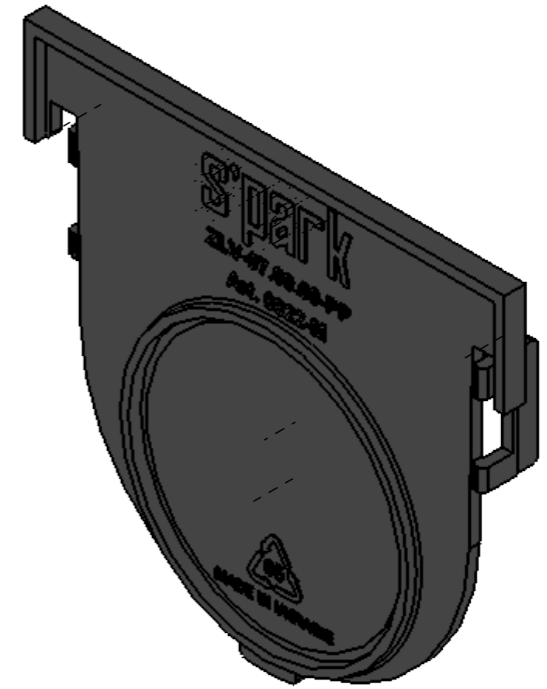
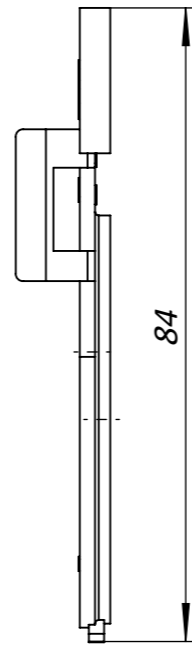
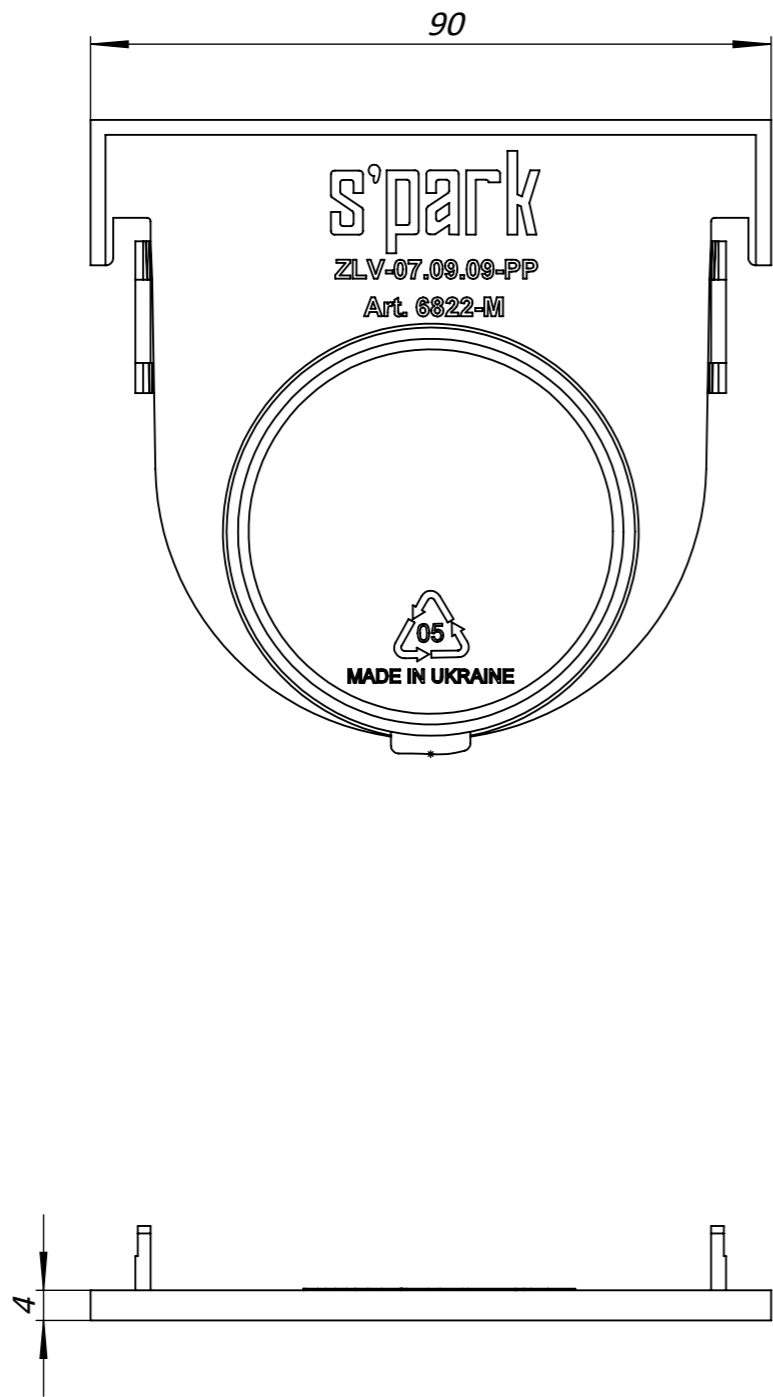


Primary Usage							
Reference No.							
Sign. and date							
Copy inv. No.							
Repl. Inv. No.							
Sign. and date							
Orig. Inv. No.							

ZLV-07.09.09-PP 6822-M UA



						Art. 6822-M UA
ZLV-07.09.09-PP 6822-M UA						
						Let. Weight Scale
Rev.	Sheet	Doc. No.	Sign.	Data	End Cap S'park	0.012 1:1
				10.05.17		Sheet Sheets 1
					Plastic	standartpark