

PV-10.14.25-PP 0888011

Primary Usage

Reference No.

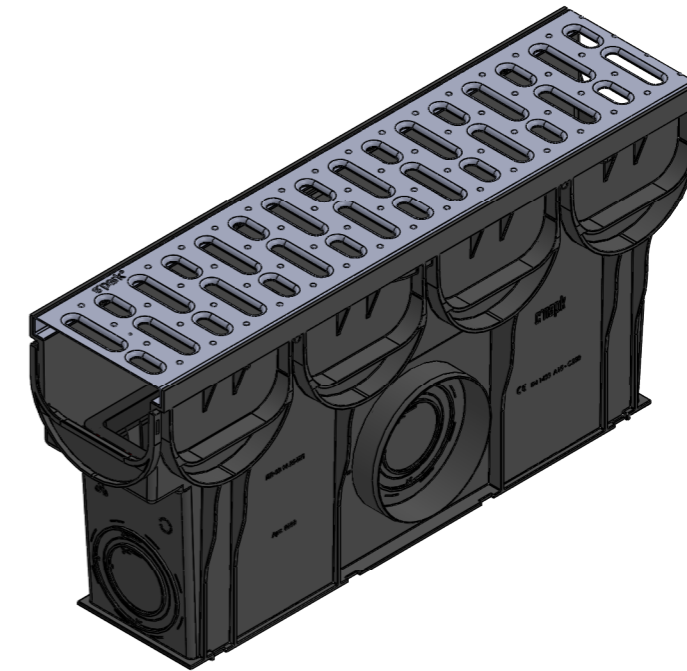
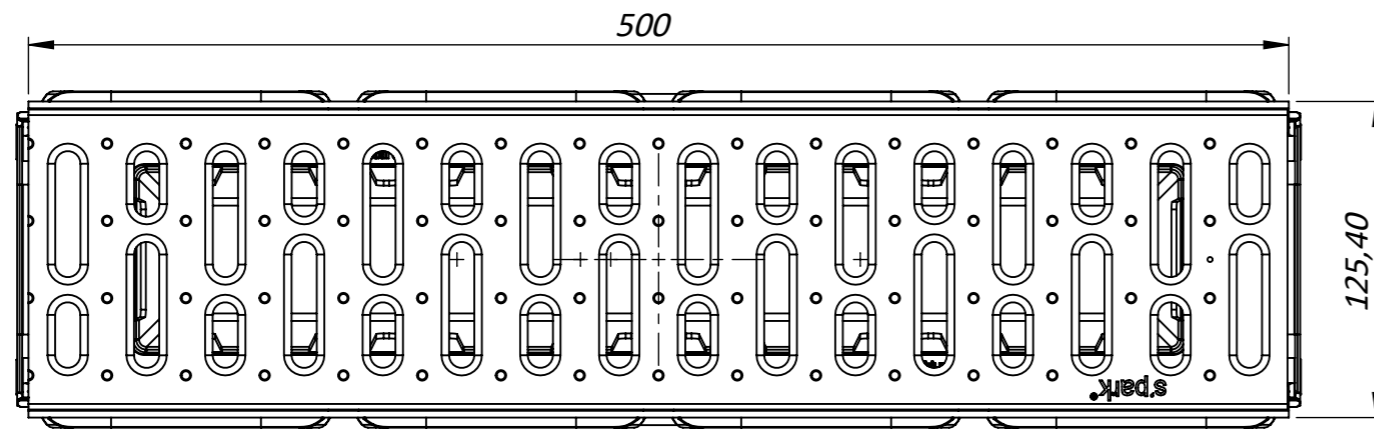
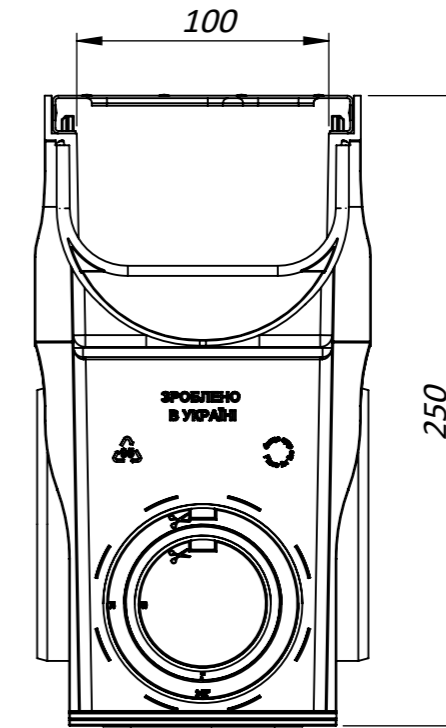
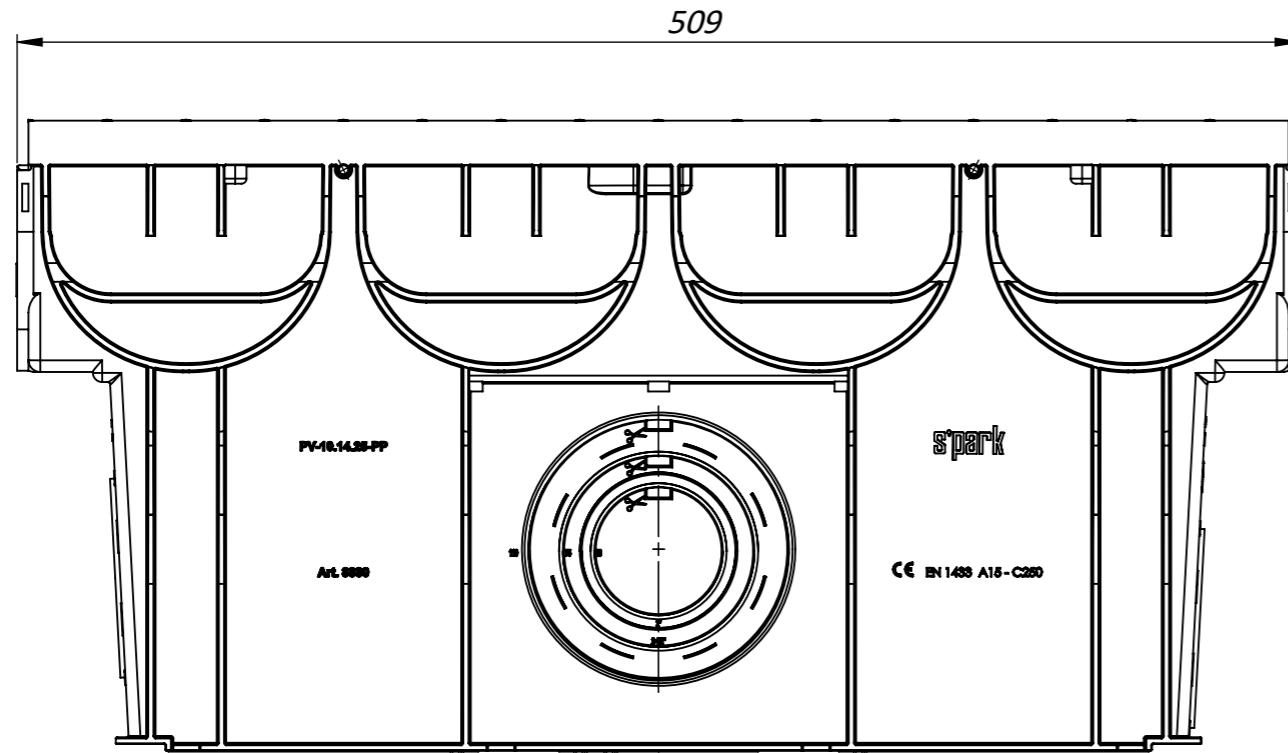
Sign. and date

Copy inv. No.

Repl. Inv. No.

Sign. and date

Orig. Inv. No.



1. Deviation of the actual weight of the nominal can be up to 12%

					Art. 0888011
					PV-10.14.25-PP 0888011
Rev.	Sheet	Doc. No.	Sign.	Data	Sand Trap with Galvanized Steel Grating Load Class A
				26.06.19	
					Let. Weight Scale
					1.83 1:3
					Sheet Sheets 1
					Plastic
					standartpark