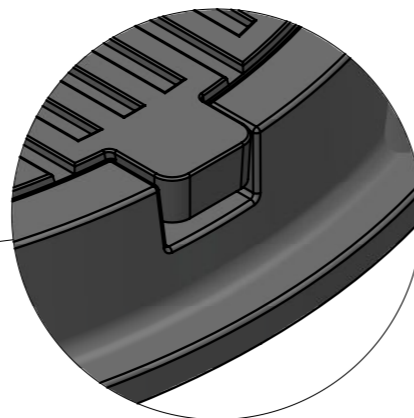
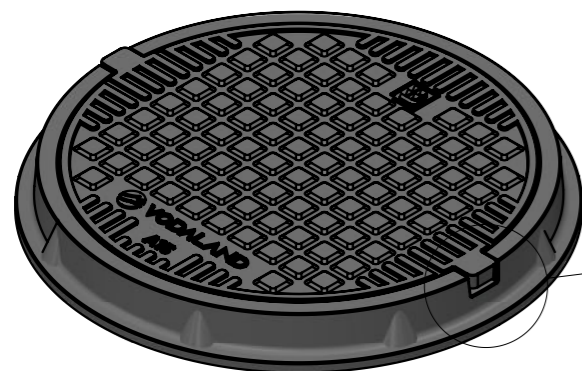
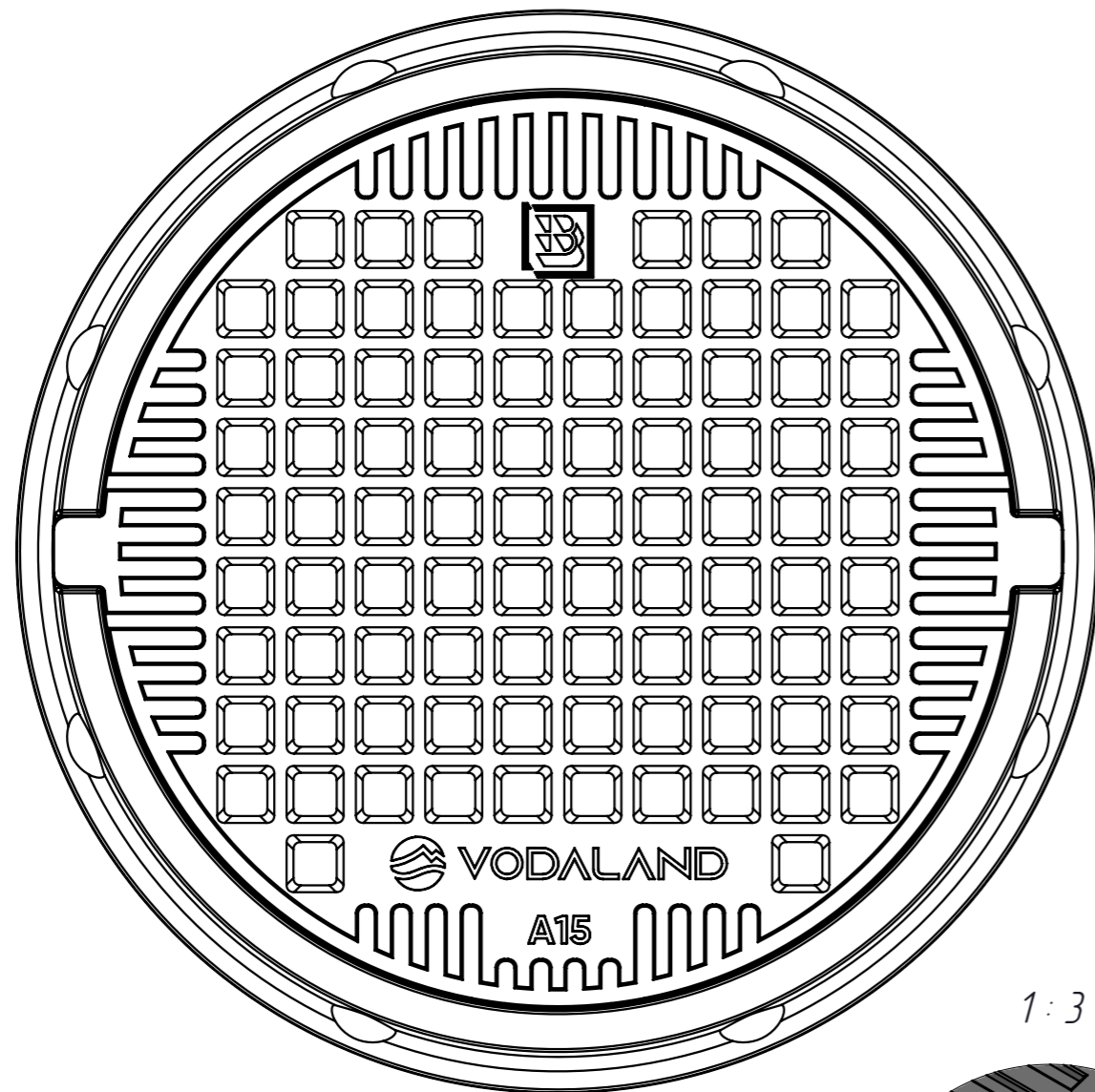
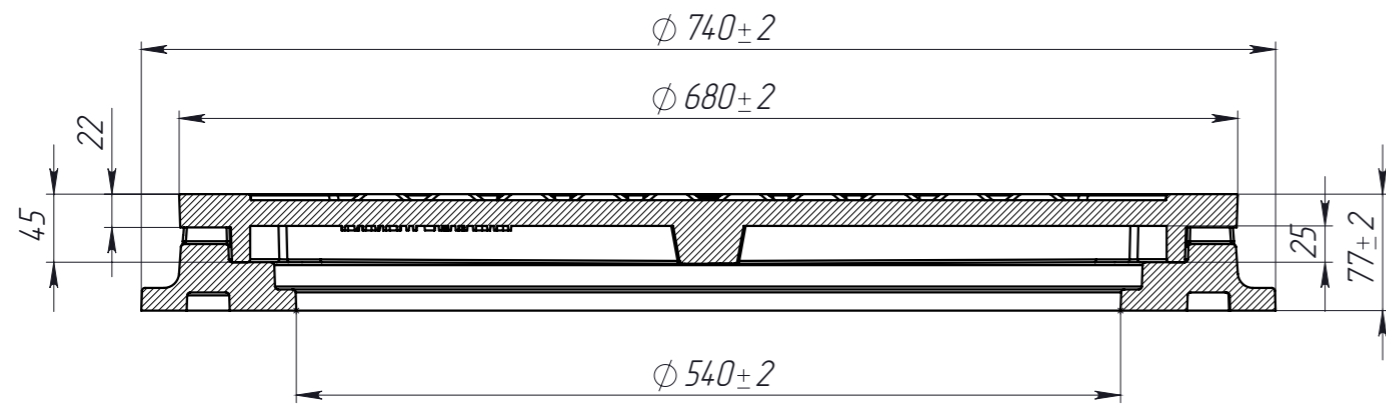
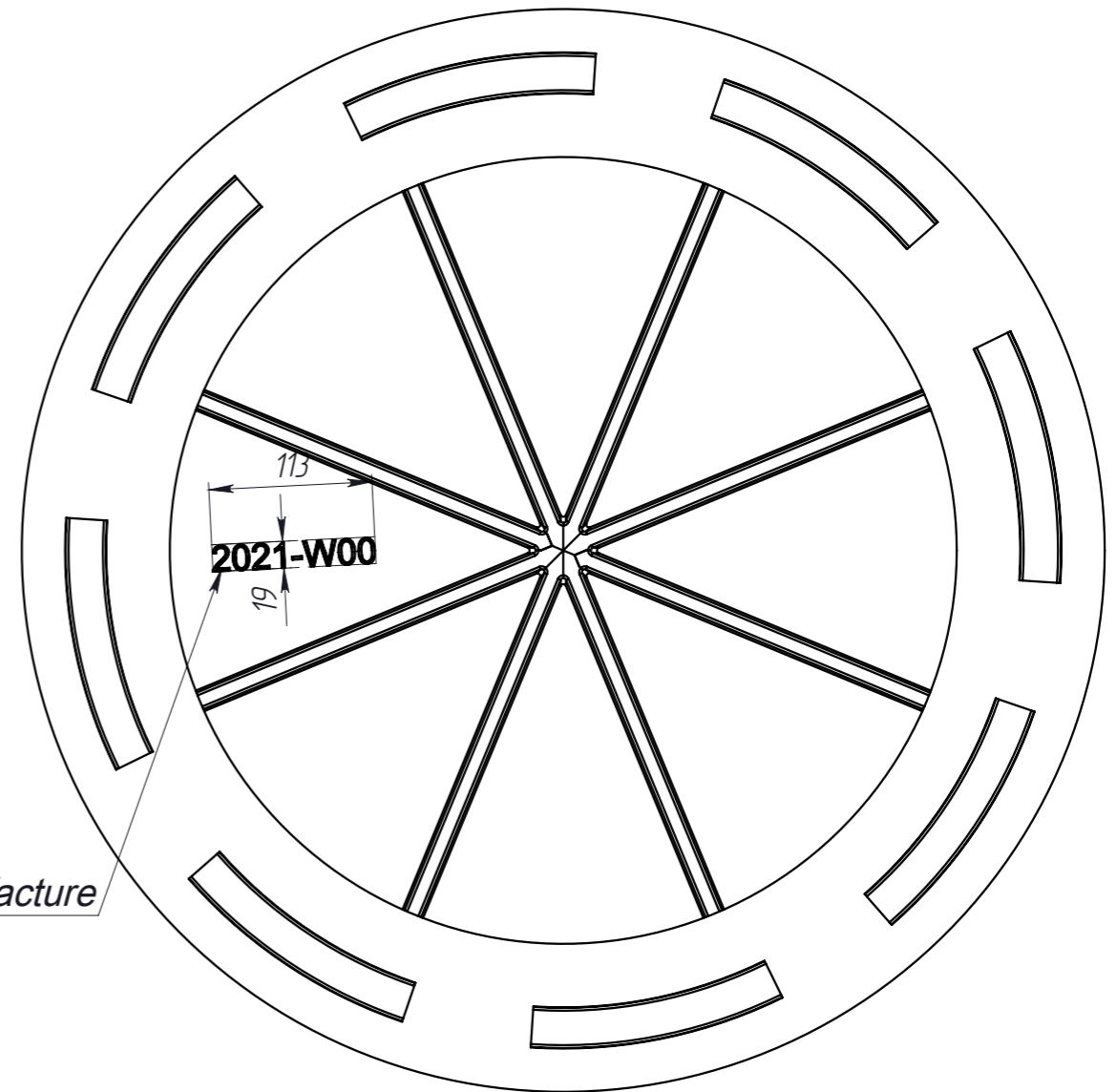


L-54.74.08-PK-F3



1:3



(week number)
Date of manufacture

*Raised area 47%
Frame bearing area -169188 sq.mm

					art 30298-308		
					L-54.74.08-PK-F3		
					<i>Manhole light polymer</i>		
					<i>polymer</i>		
Ch	Sheet	N document	Sing	Date	Let	Weight	Scale
Developer		Kachanovskyy M.		03.06.2022		24	1:5
Chaked					Sheet 1	Sheets 1	
T contr							
R contr							
Approved		Fedan M.					

