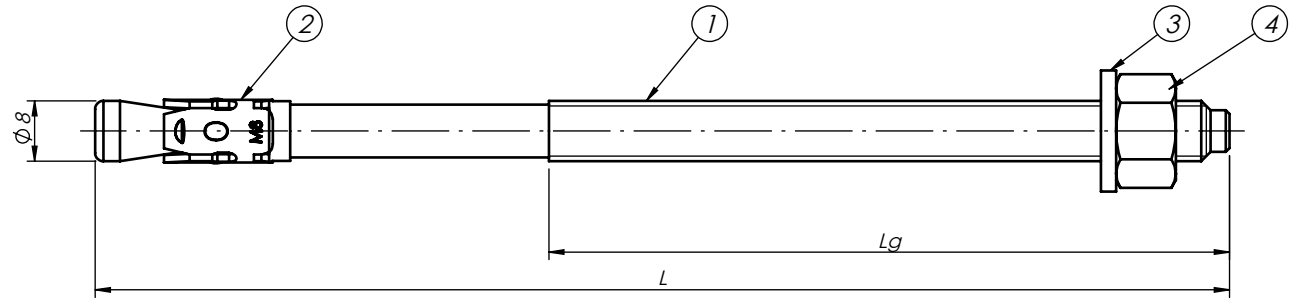


6	5			
Index	Name	L [mm]	Lg [mm]	Weight [g]
	PBK M8x 50	50	22	24,46
	PBK M8x 55	55	27	26,42
	PBK M8x 60	60	30	28,2
37208065	PBK M8x 65	65	35	30,16
	PBK M8x 70	70	35	31,66
37208075	PBK M8x 75	75	35	33,16
	PBK M8x 80	80	40	35,12
	PBK M8x 85	85	45	37,08
3720809	PBK M8x 90	90	50	39,04
	PBK M8x 95	95	55	41
3720810	PBK M8x 100	100	60	42,96
	PBK M8x 105	105	60	44,46
	PBK M8x 110	110	60	45,96
37208115	PBK M8x 115	115	60	47,47
	PBK M8x 120	120	60	48,97
	PBK M8x 125	125	65	50,93
3720813	PBK M8x 130	130	70	52,89
	PBK M8x 135	135	75	54,85
	PBK M8x 140	140	80	56,81
	PBK M8x 145	145	85	58,77
	PBK M8x 150	150	90	60,73
	PBK M8x 155	155	95	62,69
	PBK M8x 160	160	100	64,65
	PBK M8x 165	165	100	66,15
	PBK M8x 170	170	100	67,65
	PBK M8x 175	175	100	69,15
	PBK M8x 180	180	100	70,65
	PBK M8x 185	185	100	72,15
	PBK M8x 190	190	100	73,65
	PBK M8x 195	195	100	75,16
	PBK M8x 200	200	100	76,66

This document is the absolute property of DOMAX Sp. z o.o. This document must not be copied without the written permission of DOMAX Sp. z o.o. The contents thereof must not be disclosed to a third party nor be used for any unauthorized purpose. Contravention will be prosecuted.

Revision				
Rev.	Explanation	Date	Revised by	Approved by



Note:
1. General tolerances EN 22768 mK.

4	1	Nut	M8-5 DIN 934-Zn	Carbon steel	5,0[g]
3	1	Washer	M8 DIN 125-Zn	Carbon steel	2,0[g]
2	1	Mechanical fastener - plate	PBK M8-B	Carbon steel	1,93[g]
1	1	Mechanical fastener M8-rod	PBK M8-P	Carbon steel	-
Pos.	No.	Name	Description	Material	Weight

Design	D.Kozłowski		Checked	-	Approved	-	Note	-
Drawn	D.Kozłowski		Format	A4	Scale	1:1	Material	-
Index	13.10.2023		Date	Mechanical fastener M8		Sheet 1 / 1		
domax		PBK M8		Rev		0		
DOMAX Sp. z o.o.								