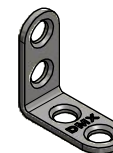
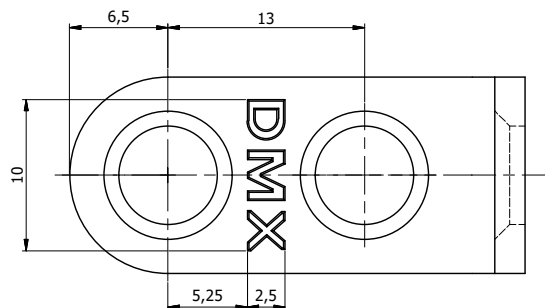
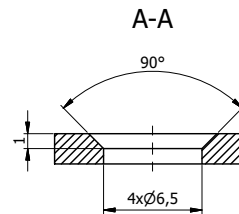
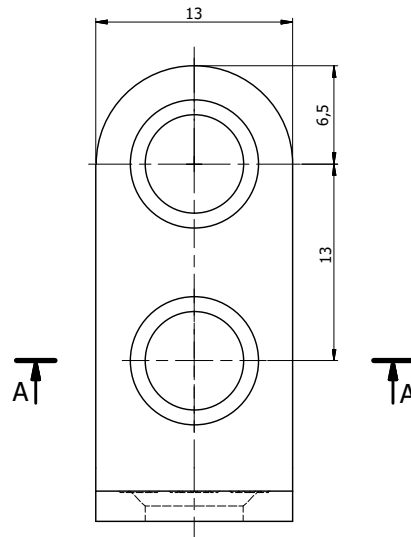
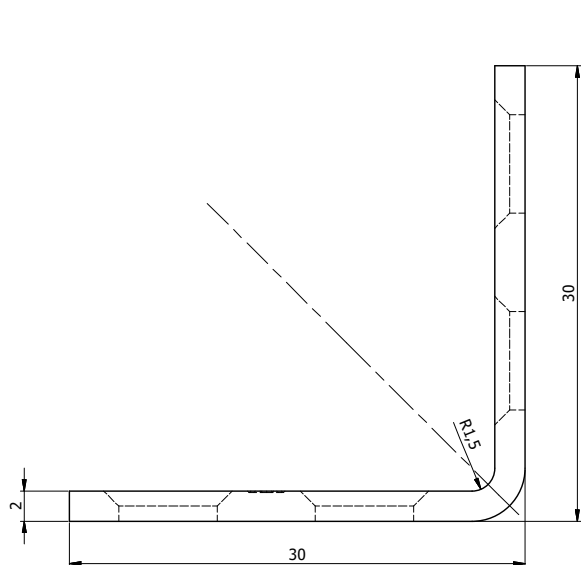


This document is the absolute property of DOMAX Sp. z o.o. This document must not be copied without the written permission of DOMAX Sp. z o.o. The contents thereof must not be disclosed to a third party nor be used for any unauthorized purpose. Contravention will be prosecuted.

Rev.	Explanation	Date	Revised by	Approved by



- Note:  
 1. General tolerances EN 22768 mK.  
 2. Carry the marks to 0,1 [mm] depth.

1	Flat	1	x2-56,5x13	DC01	15,3	8,5	
Item	Identification	Amt.	Specification	Raw material	Surface [cm <sup>2</sup> ]	Weight [g]	
Design	K. Rytlewski	Checked	Approved	Scale	2:1		
Drawn	K. Rytlewski						
Index	Date	12.09.2017					Sheet
		Connector FKW 30				1/1	
DOMAX Sp. z o.o.		FKW 30				Rev.	