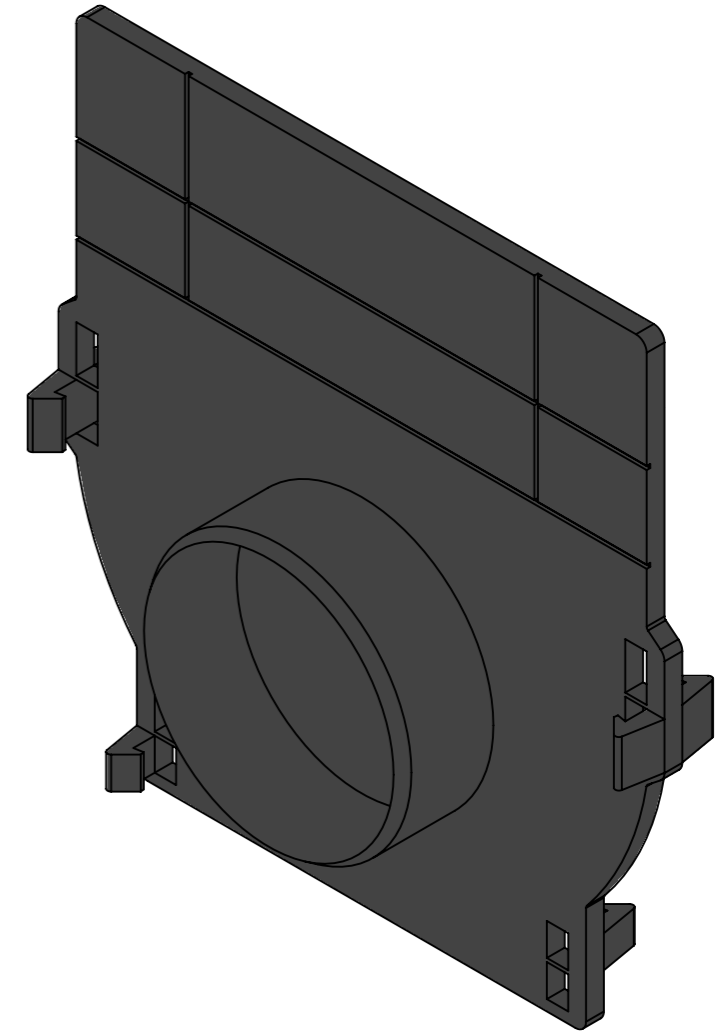
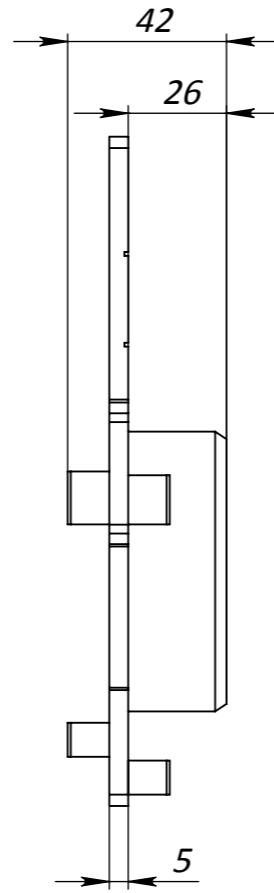
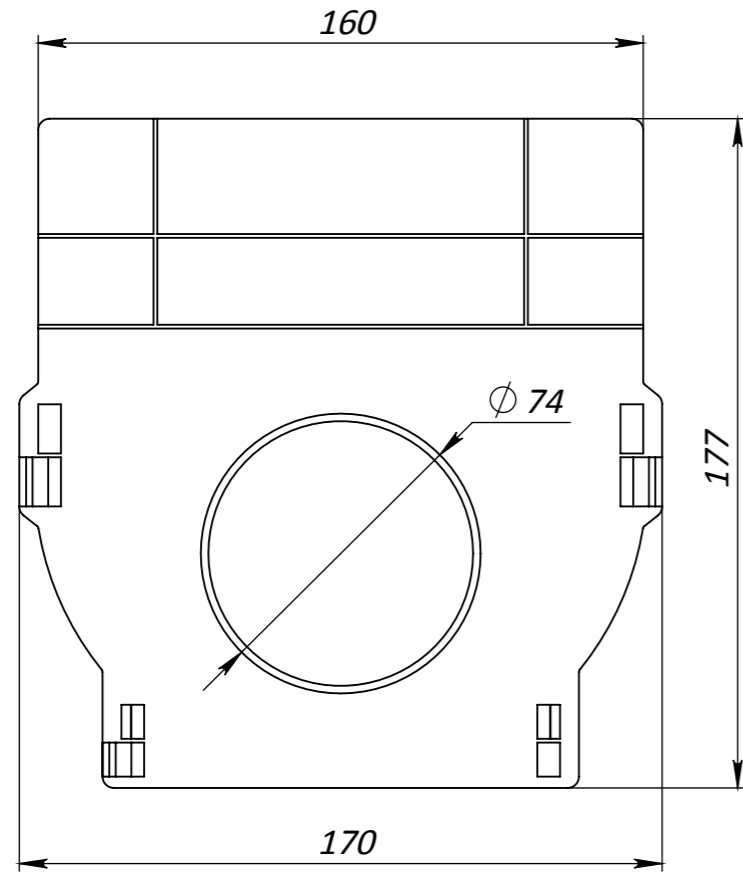


ZLV-10.16.16-PP 6830



Primary Usage

Reference No.

Sign. and date

Copy inv. No.

Repl. Inv. No.

Sign. and date

Orig. Inv. No.

					Art.	6830		
<b>ZLV-10.16.16-PP 6830</b>								
						Let.	Weight	Scale
Rev.	Sheet	Doc. No.	Sign.	Data	<b>Plastic End Cap</b>		0.1	1:2
				10.05.17		Sheet	Sheets	1
					<b>Plastic</b>	