

33352513-5

Primary Usage

Reference No.

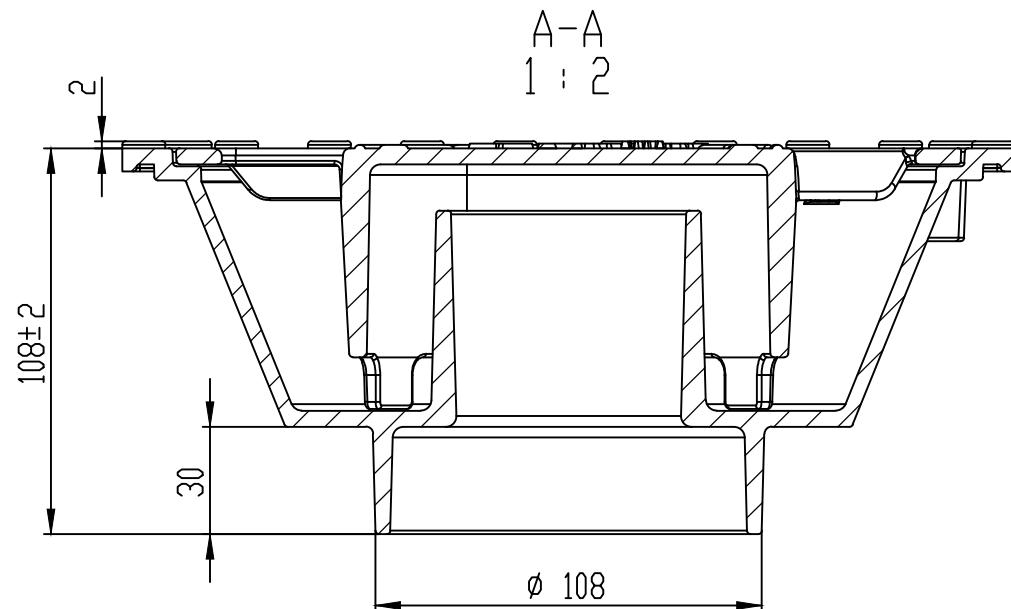
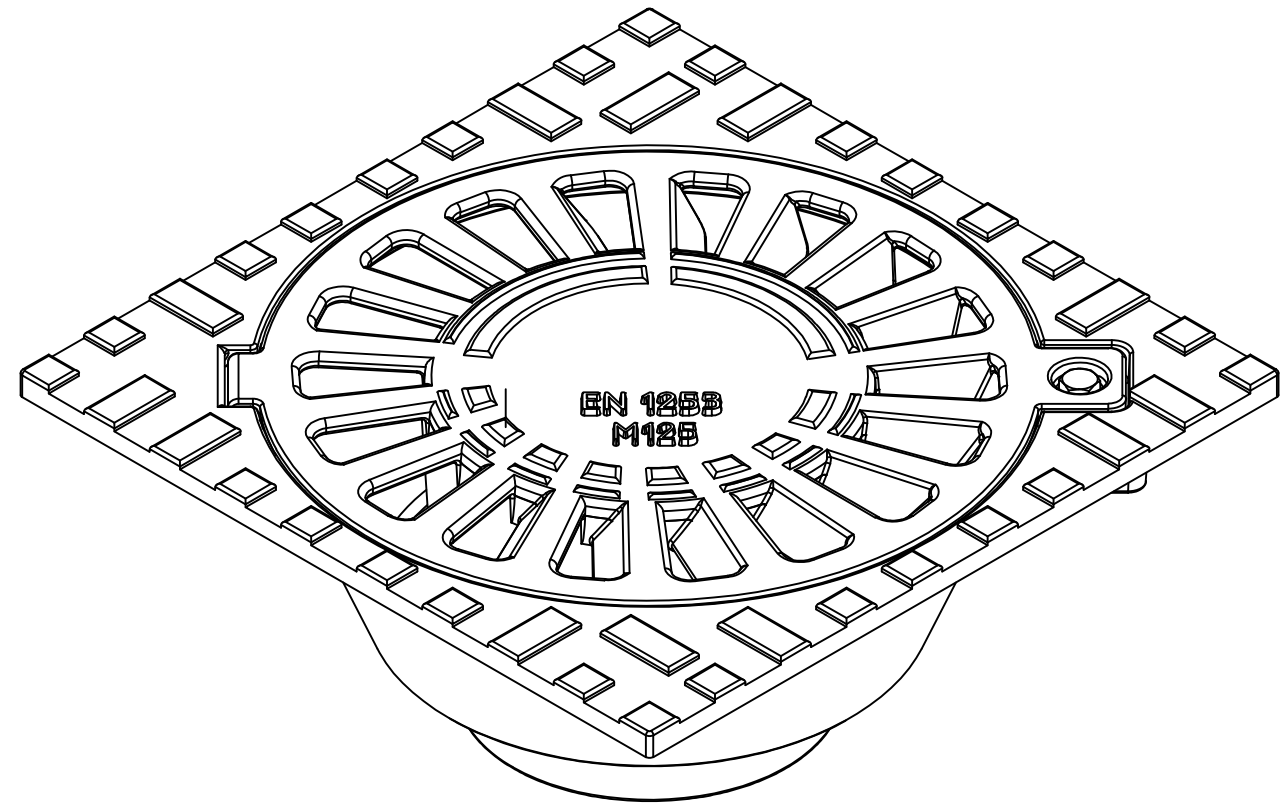
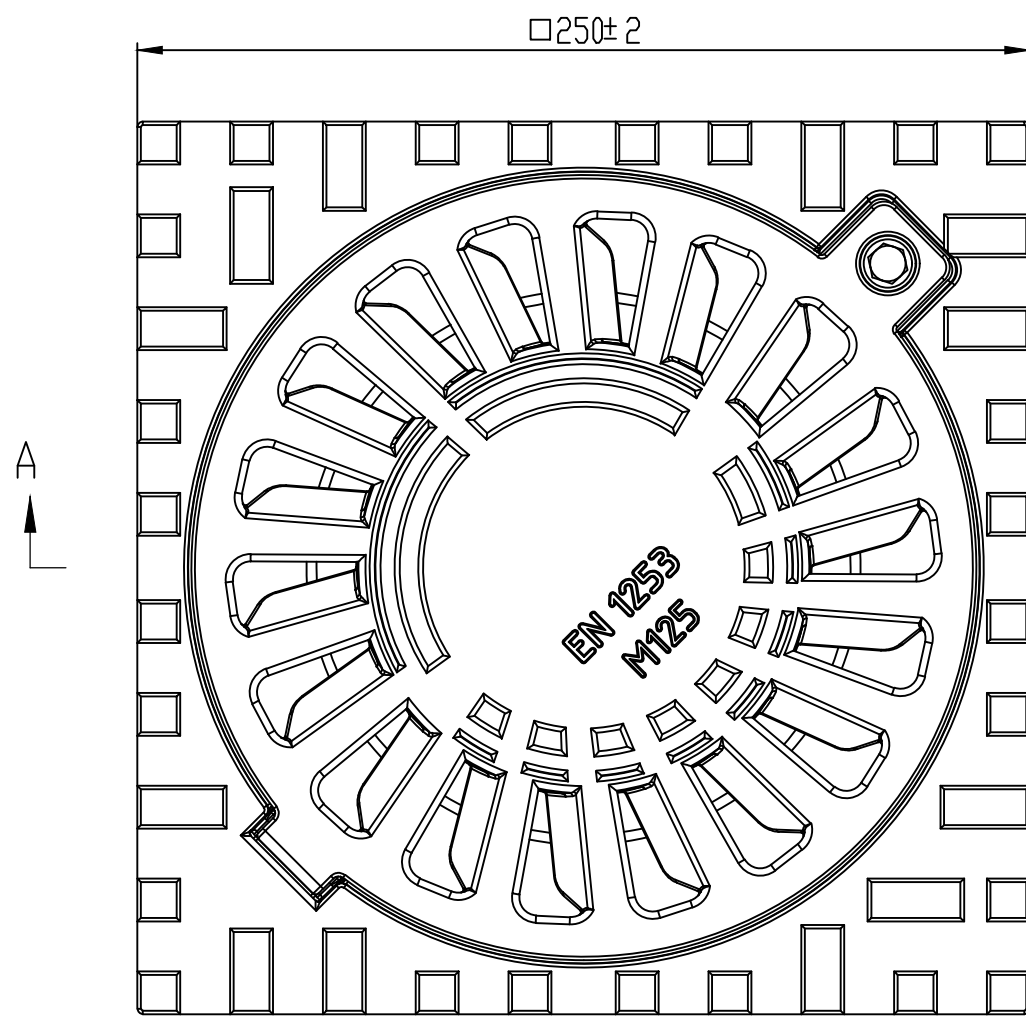
Sign. and date

Copy. inv. No


Rep. Inv. No

Sign and date

Drig. Inv. No



1. According to GOST 26645-85 for casting from 10 to 40 kg of 9 class of accuracy, the deviation from the mass can be up to 8%
2. Comparative weight of the case depending on height

				Art. 33352513-5			
Rev	Sheet	Doc. No.	Sign	Data	Let.	Weight [kg]	Scale
		Prokopenko		28.08.2018		6,1	1:5
Trap type M125 250x250 vertical output DN110					Sheet 1	Sheets 1	
GGG50							

Size A3